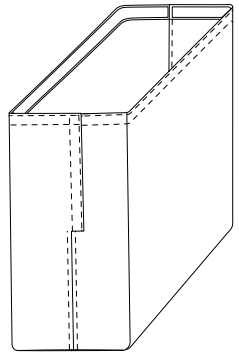


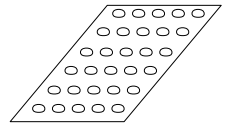
Cable Bag^{01/02}

PARTS AND TOOLS

(A) x1 PCE

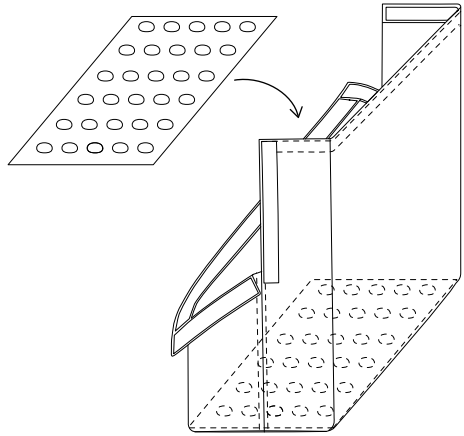


(B) x1 PCE



STEP 1

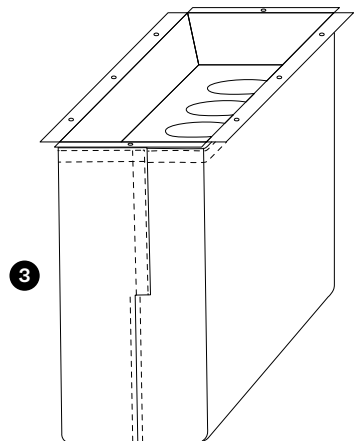
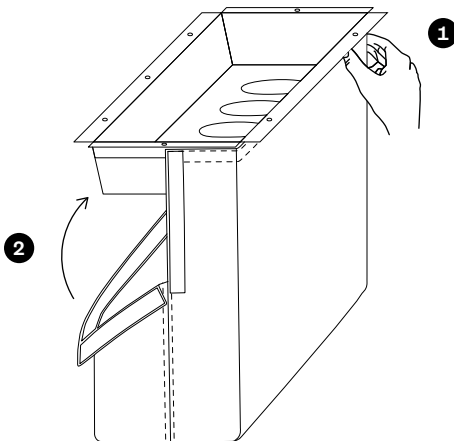
Add the bottom plate to the bag and position flat.



STEP 2

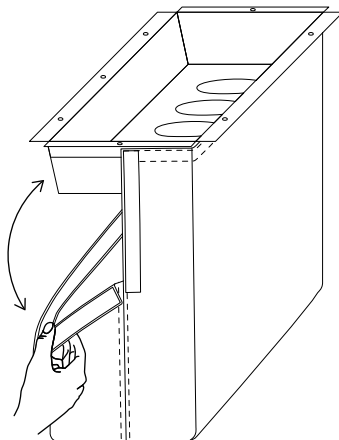
Attach one side of the bag to the frame or tray, start from the middle of the short side and work your way around.

Position cables and power supplies in bag and close the open side.



ADJUSTMENTS

If a change needs to be made, simply open up the bag by loosening the velcro on one side.



L