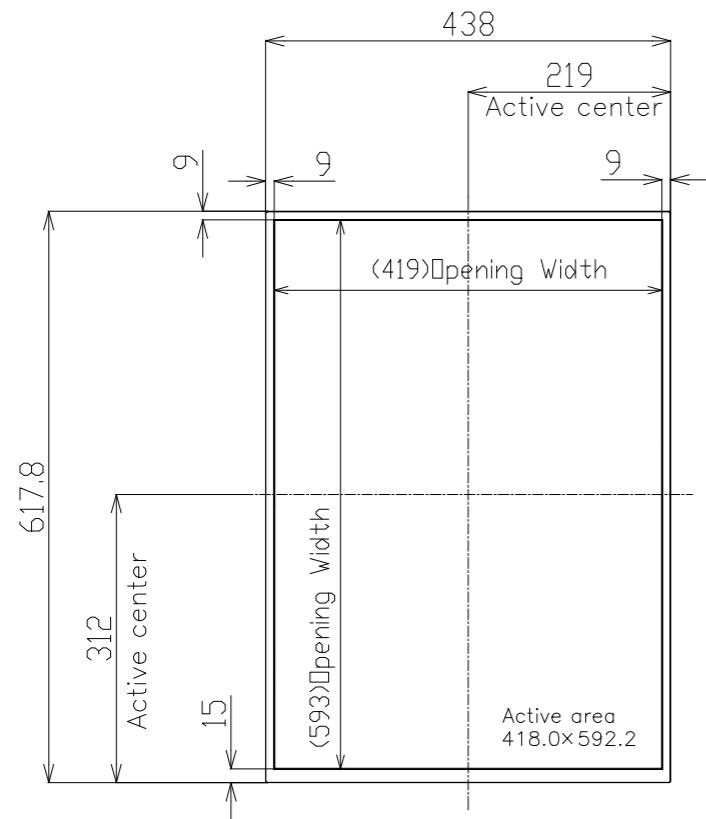
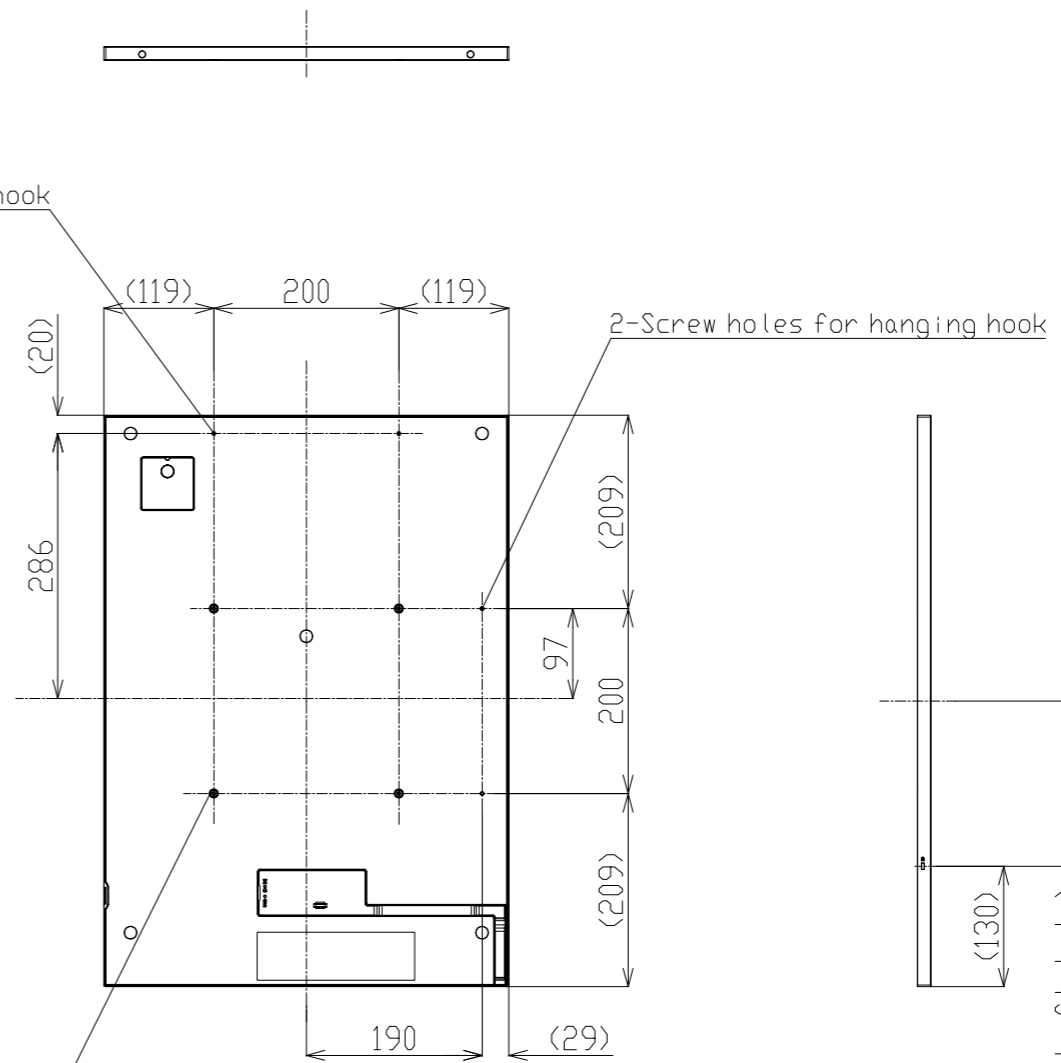
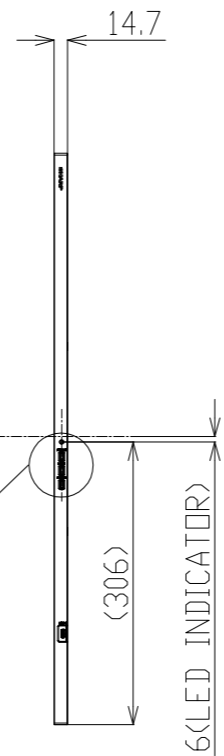


# EP-CA22 OUTLINE

←  
In landscape installation: this side up

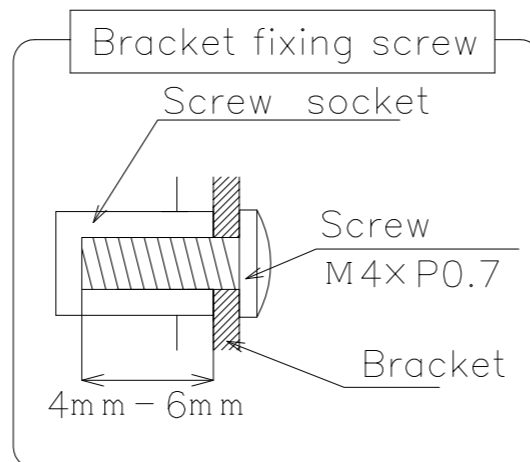
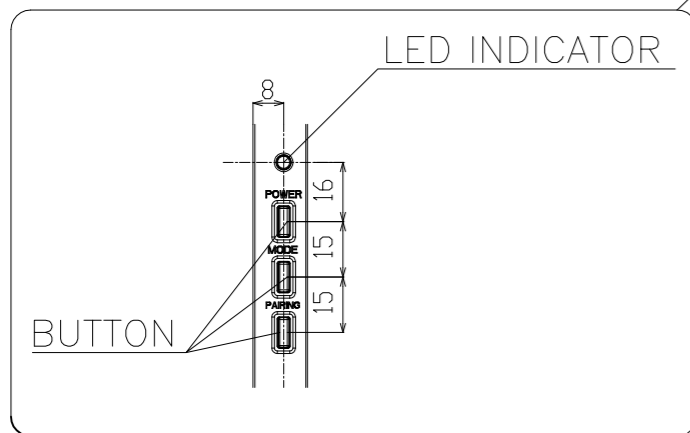


2-Screw holes for hanging hook



2-Screw holes for hanging hook

4-Screw holes for mounting brackets(M4)



Unit	mm
Model	EP-CA22
Weight	Approx 2.3kg
SHARP Corporation	